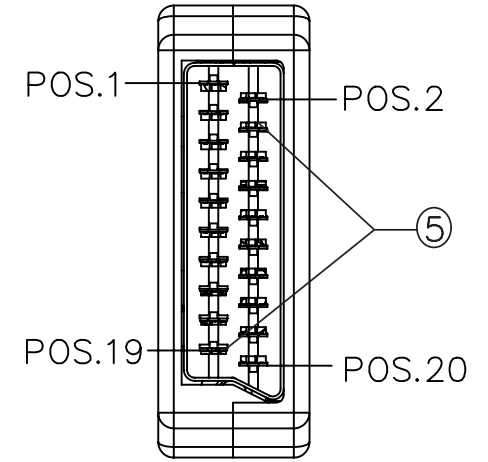
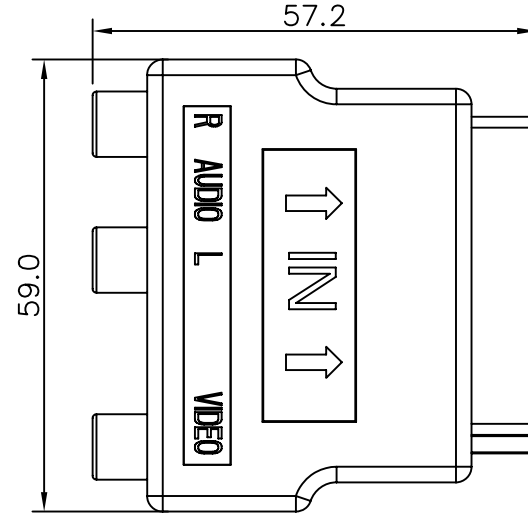
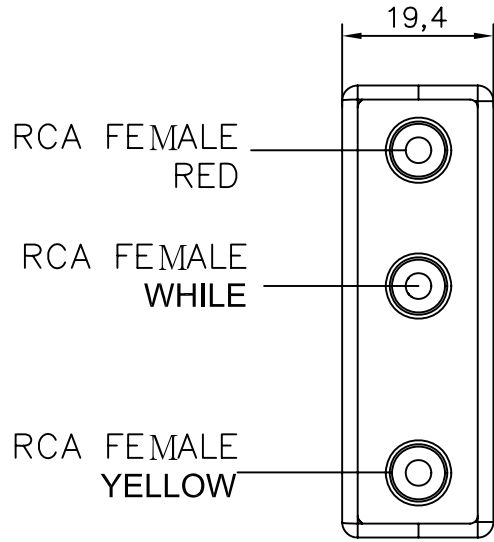
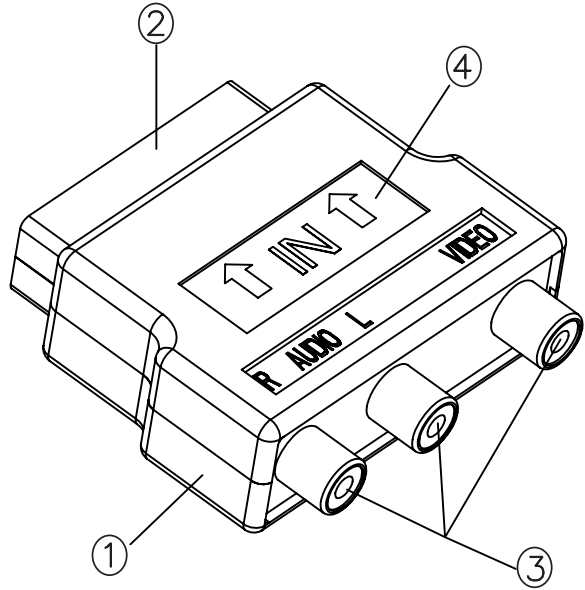


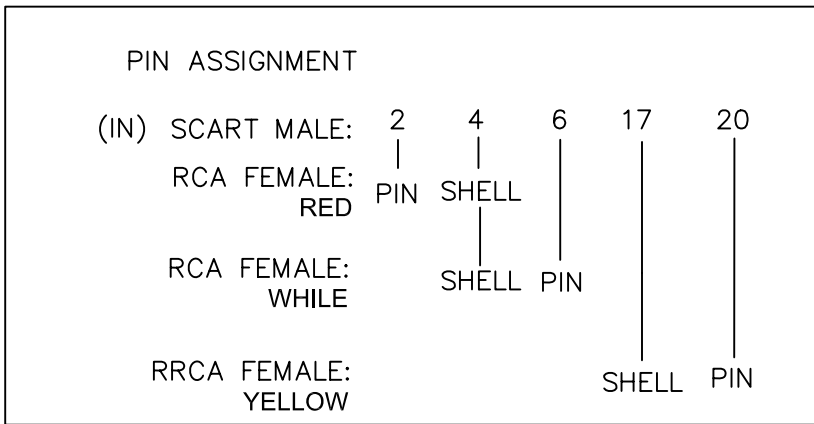
REV	DESCRIPTION	DATE
01	Initial Release	03'.12.05



5	21P Scart Plug	Contact Tin Plating
4	IN Label	Black Color, Golden Printing
3	3xRCA Jack	Brass, Nickel Plated
2	Metal Shieled	Stainless
1	Cover	ABS
No.	Part Name	Material

Test Conditions:
Voltage: 150V
Insulator Resistance: 10MΩ
Connection Resistance: 20Ω

Cable Specification: 35MM 2/2MM 1.2(11x0.12)
3xRCA Jack Plated: Nickel 3u"
Scart Plug Plated: Tin 120u"



TOLERANCES UNLESS OTHERWISE STATED	
0-L <= 4	±0.05
4-L <= 16	±0.10
16-L <= 64	±0.15
64-L <= 250	±0.20
250-L <= 500	±0.25
500-L	±0.30
ANGLE=	±0.25°

PANSTRONG COMPANY LTD.				DRAWN BY		TOMMY	
				CHECKED			
TITLE: SCART PLUG TO 3RCA JACK ADAPTER				APPROVED			
PART NO: STAD-2216				DRAW NO			
DRAW. BOX NO:				UNIT		mm	
SCALE		1:1	REV	01			