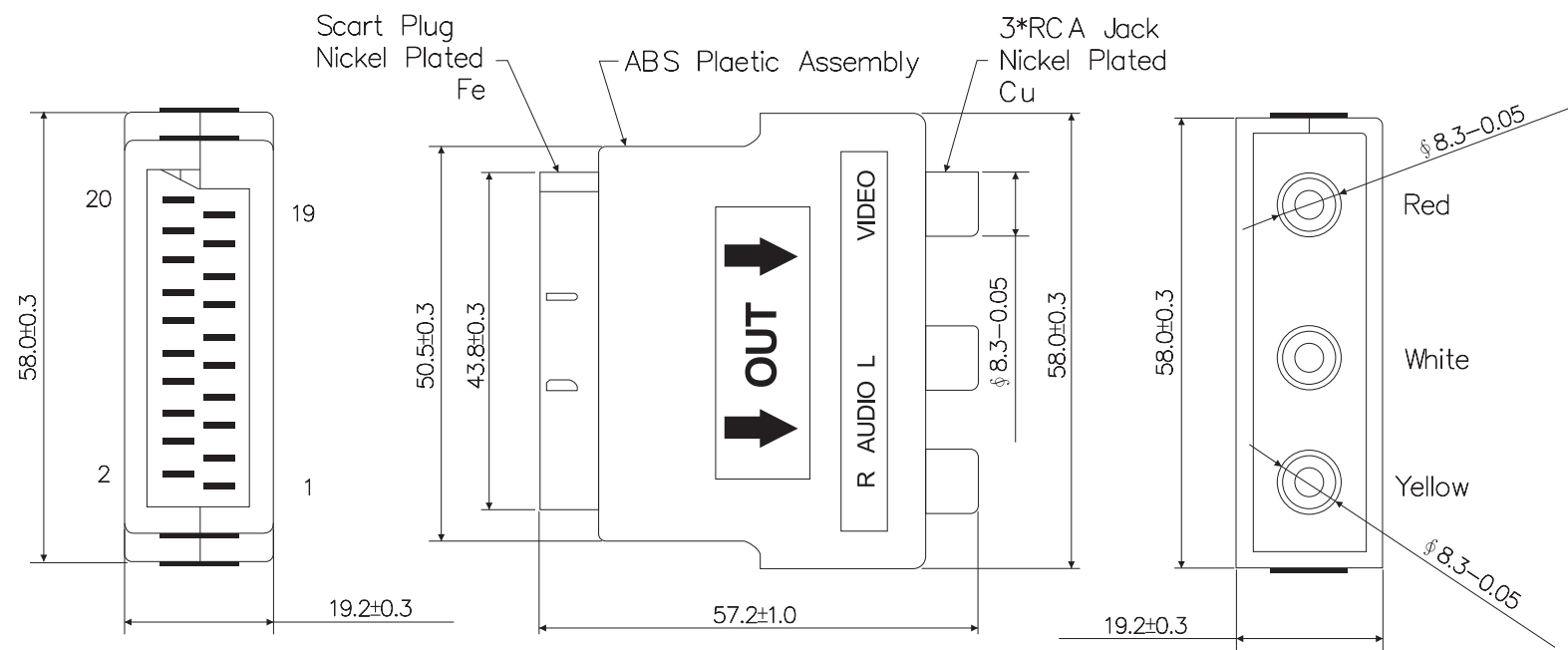
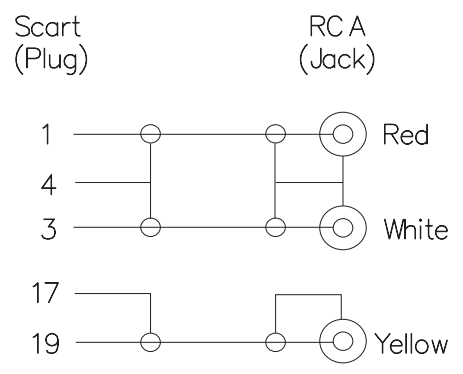


| REV | DESCRIPTION     | DATE      |
|-----|-----------------|-----------|
| A   | Initial Release | 05'.06.23 |



SOLDERED DRAWING:



| ELECTRICAL CHARACTERISTIC |   |
|---------------------------|---|
| ①                         | CONTACT RESISTANCE: $\leq 50m\Omega$                    |
| ②                         | INSULATION RESISTANCE: $\geq 10m\Omega$                 |
| ③                         | WITHSTAND VOLTAGE: D=300V                               |
| ④                         | CURRENT RAGING: D=250V/0.5A                             |
| ⑤                         | OPERATING TEMPERATURE: $-30^{\circ}C \sim -60^{\circ}C$ |

| TOLERANCE   |               |
|-------------|---------------|
| 0-10        | $\pm 0.05$    |
| 10-99       | $\pm 0.5$     |
| 100-999     | $\pm 10.0$    |
| 1000-9999   | $\pm 100.00$  |
| 10000-99999 | $\pm 1000.00$ |

|                               |           |       |
|-------------------------------|-----------|-------|
| <b>PANSTRONG COMPANY LTD.</b> | DRAWN BY  | TOMMY |
|                               | CHECKED   |       |
| TITLE:                        | APPROVED  |       |
| PART NO:                      | STAD-2217 |       |
| File Number:                  | DRAW NO   |       |
| SCALE                         | /         | REV A |
| UNIT                          | mm        |       |