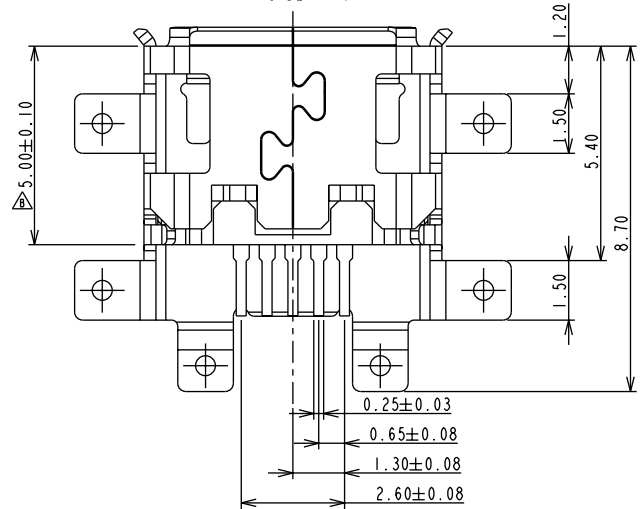
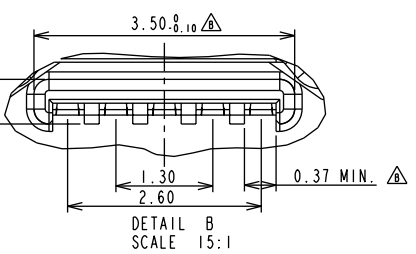
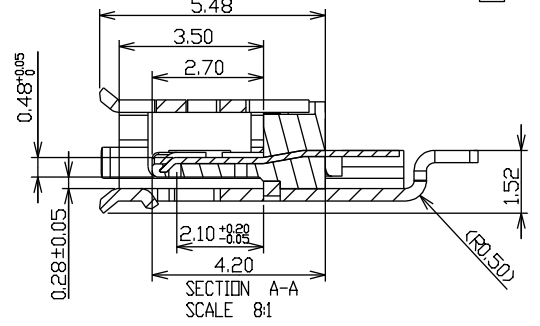
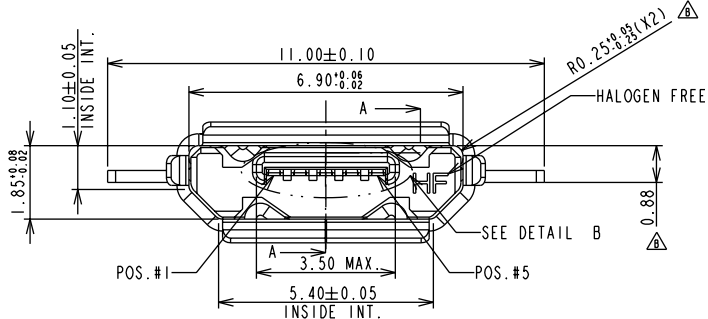
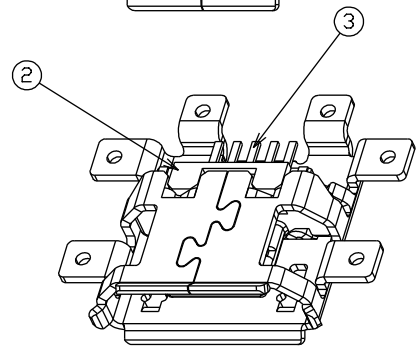
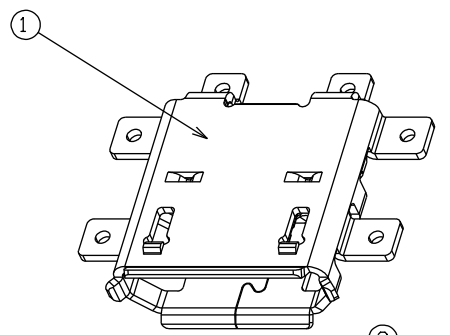
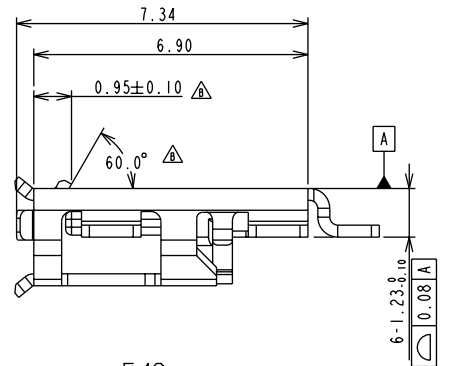
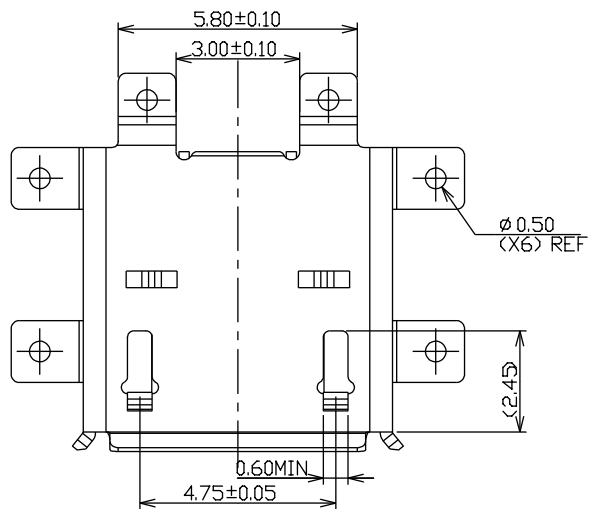


REV	DESCRIPTION	DATE
A	Initial Release	06'.03.28
B	△ x8, Ax7, Mx1	09'.10.20



ITEM	NAME	Q'TY	MATERIAL / FINISH
3	CONTACT	5	COPPER ALLOY/30u' Au PLATED
2	HOUSING	1	HIGH TEMP.THERMOPLASTIC/BLACK
1	SHELL	1	STAINLESS STEEL



PANSTRONG COMPANY LTD.

DRAWN BY TOMMY

CHECKED

TITLE:

MICRO USB CONNECTOR RECEPTACLE MID-MOUNT B TYPE

APPROVED

PART NO:

MMUBR03LB-5FK30TR

DRAWING NO.

SCALE

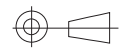
8:1

REV

B

UNIT

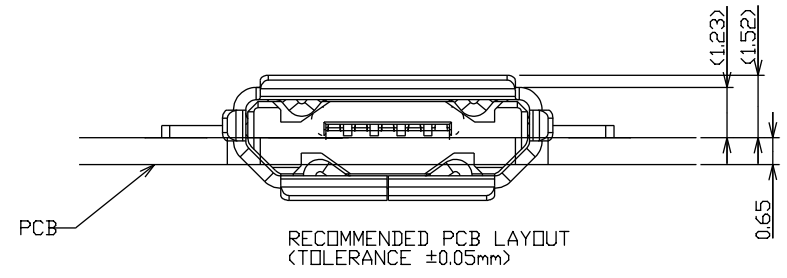
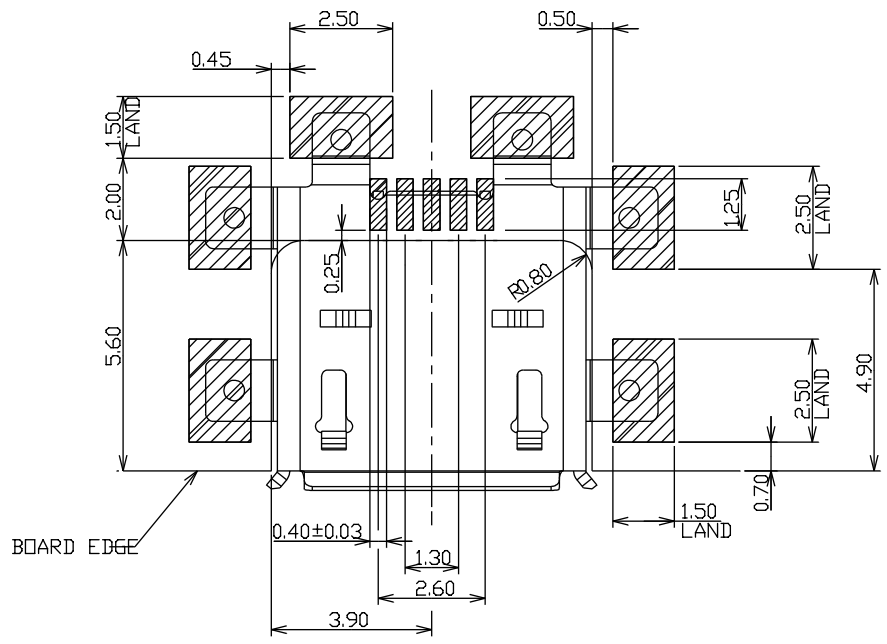
mm



TOLERANCES UNLESS OTHERWISE SPECIFIED	
GENERAL	XX ±0.38
	XXX ±0.25
	XXXX ±0.13
	XXXXX ±0.05
ANGLES	XX ±30°
	XXX ±50°
	XXXX ±10°

PANSTRONG COMPANY LTD.				DRAWN BY	TOMMY
MICRO USB CONNECTOR RECEPTACLE MID-MOUNT B TYPE				CHECKED	
MMUBR03LB-5FK30TR				APPROVED	
SCALE 8:1				DRAWING NO.	
REV B		UNIT	mm		

REV	DESCRIPTION	DATE
A	Initial Release	06'.03.28
B	△x8, Ax7, Mx1	09'.10.20



ELECTRICAL SPECIFICATIONS:
 RATED VOLTAGE: 30V AC(rms) CONTACT CURRENT RATING: 1A MAX.
 CONTACT RESISTANCE: 50 MILLIOHMS MAX.
 INSULATION RESISTANCE: 1000 MEGOHMS MIN.
 DIELECTRIC WITHSTANDING: 100V AC
 OPERATING TEMPERATURE: -55°C to +85°C

Part No. MMUBR03LB- $\frac{5}{1}$ $\frac{F}{2}$ $\frac{K}{3}$ $\frac{30}{4}$ $\frac{R}{5}$

- MMUBR03LB: Micro USB, SMT, R/A, MIDDLE MOUNT
- Contact Number: 5 Positions
 - F: Receptacle
 - Insulator Color: K: Black PA-6T
 - Plating: 30u" Gold, Solder Tail: Matte Tin 200u" min. over 50-130u" Nickel
Shell: Matte Tin 150u" min. over Nickel 50u" min.
 - Package: R: Tape & Reel

PANSTRONG COMPANY LTD.				DRAWN BY		TOMMY
				CHECKED		
TITLE:		MICRO USB CONNECTOR RECEPTACLE MID-MOUNT B TYPE			APPROVED	
PART NO:		MMUBR03LB-5FK30TR			DRAWING NO.	
SCALE		8:1	REV	B	UNIT	mm
<small>TOLERANCES UNLESS OTHERWISE SPECIFIED GENERAL: X ±0.38 .X ±0.25 .XX ±0.13 .XXX ±0.05 ANGLES: X° ±30° .XX' ±10' .XX" ±10"</small>						