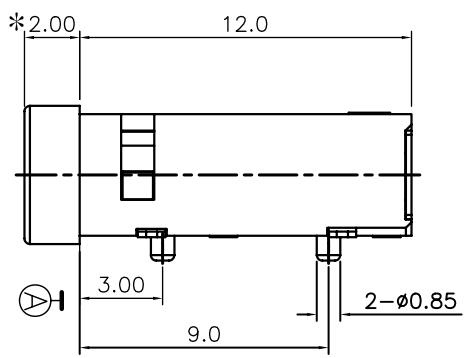
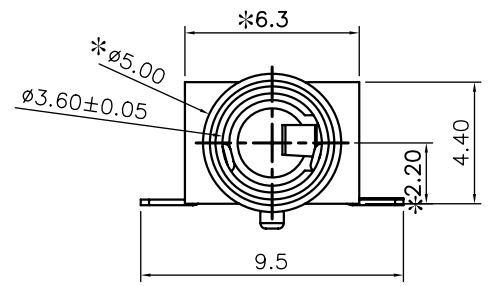
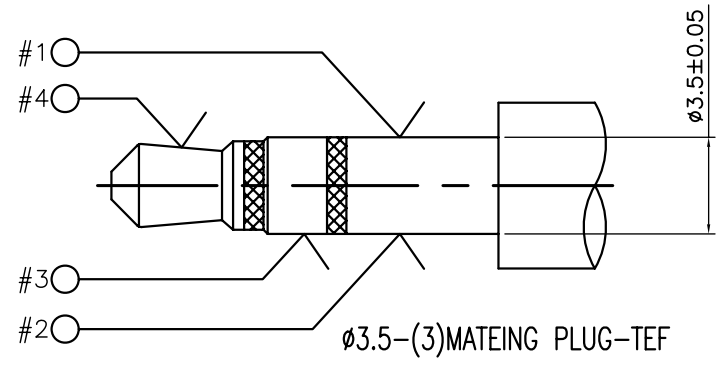
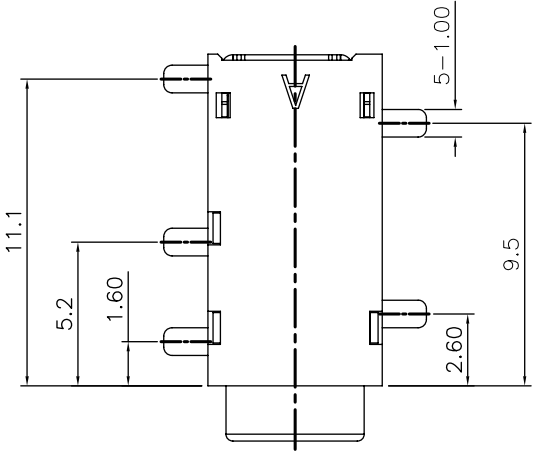


REV	DESCRIPTION	DATE
A	Initial Release	16.07.12

Notes:

- Electrical Characteristics:
 - Rating : DC 30V 0.5 A ;
 - Contact Resistance: 30mΩ Max.(Initial),
Between plug and contact 100mΩ Max;
(Final) After Life test: ≤60mΩ ;
 - Dielectric Withstanding Voltage: 500V AC for One Minute ;
 - Insulation Resistance: 100MΩ Min. Measured By 500 VDC;
- Mechanical Characteristics:
 - Plug Insertion Force 0.3~3.0Kgf (initial),
0.3~3.0Kgf (Final) life test;
 - Plug Extraction Force: 0.3~3.0Kgf (initial),
0.3~3.0Kgf (Final) life test;
- Durability Test: 5,000 Cycles min;
- Operating temperature:-25°C ~ +70°C;
- Soldering Heat Resistance Reflow Soldering 260°C;
- Plug Interface Dimensions Conform To EIAJ RC-5325A Spec;
- Packaging:Tape Reel.;

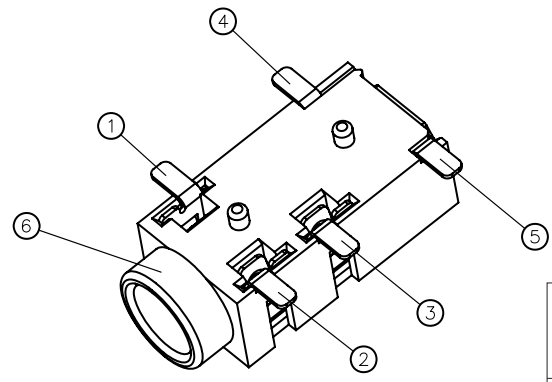
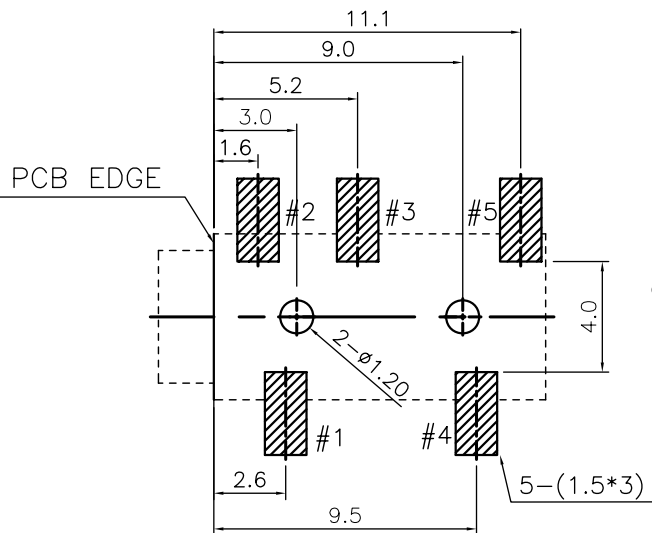
SCHEMATIC CODE			
PJ3.5-SM-07A	PJ3.5-SM-07B	PJ3.5-SM-07C	PJ3.5-SM-07D



LEAD FREE

6	HOUSING	1	PA9T	UL94V-0	BLACK
5	TERMINAL 5#	1	C2680-EH	t=0.20	MB:Ni20u" Gold Flash0.5u"
4	TERMINAL 4#	1	C5210-EH	t=0.20	MB:Ni20u" Gold Flash0.5u"
3	TERMINAL 3#	1	C5210-EH	t=0.20	MB:Ni20u" Gold Flash0.5u"
2	TERMINAL 2#	1	C5210-EH	t=0.20	MB:Ni20u" Gold Flash0.5u"
1	TERMINAL 1#	1	C5210-EH	t=0.20	MB:Ni20u" Gold Flash0.5u"
LTR	PART NAME	QTY	MATERIAL	REMARK	

“*”: INDICATES THE KEY DIMENSIONS



Recommend of PC Board Holes

Tolerance : ±0.05(Top view)

-TOLERANCES- UNLESS OTHERWISE SPECIFIED	
X.X	±0.30 X.X' ±3'
X.XX	±0.25 X.XX' ±1'
X.XXX	±0.20

	PANSTRONG COMPANY LTD.		DRAWN BY	TOMMY
			CHECKED	
TITLE:	MINIATURE JACK		APPROVED	
PART NO:	PJ3.5-SM-07		DRAWING NO.	
SCALE	/	REV	A	UNIT mm

