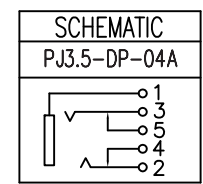
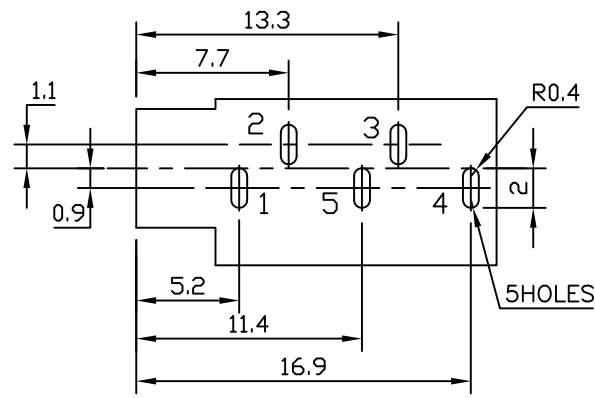
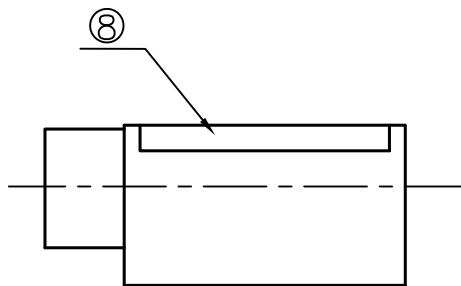
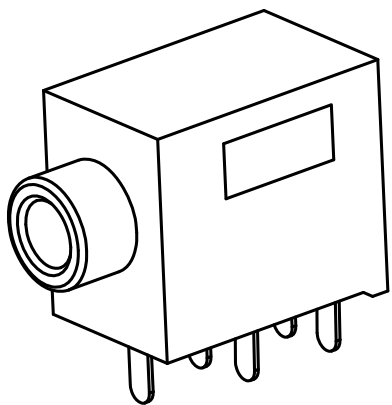
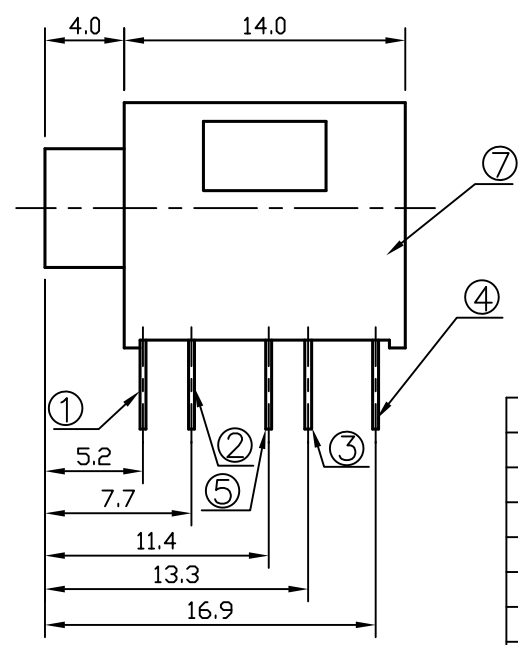
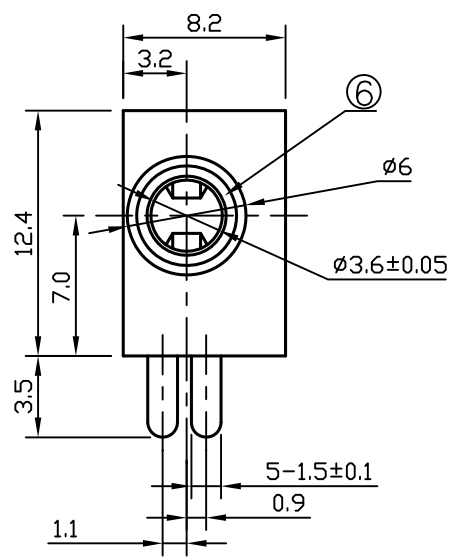


REV A	DESCRIPTION Initial Release	DATE 02.11.13
----------	--------------------------------	------------------



T:1.6 Dimensions of PC board holes
Tolerance : ±0.1(Printed-top view)



LEAD FREE

8	COVER	1	PBT 4815	UL-94V0
7	HOUSING	1	PBT 4815	UL-94V0
6	FIX TURN	1	H59	MB:Cu Ni PLATED
5	TERMINAL -5#	1	C2680 t=0.3	MB:Ni Ag PLATED
4	TERMINAL -4#	1	C2680 t=0.3	MB:Ni Ag PLATED
3	TERMINAL -3#	1	C5191 t=0.3	MB:Ni Ag PLATED
2	TERMINAL -2#	1	C5191 t=0.3	MB:Ni Ag PLATED
1	TERMINAL -1#	1	C2680 t=0.3	MB:Ni Ag PLATED
LTR	PART NAME	QTY	MATERIAL	REMARK

MODEL NO.	COLOR
PJ3.5-DP-04A01	GREEN
PJ3.5-DP-04A02	PINK
PJ3.5-DP-04A03	BLUE
PJ3.5-DP-04A04	ORANGE

UNLESS OTHERWISE SPECIFIED,
TOLERANCE ON DECIMAL:
±0.3

		DRAWN BY	TOMMY
		CHECKED	
TITLE:	MINIATURE JACK		APPROVED
PART NO:	PJ3.5-DP-04A		DRAWING NO.
SCALE	/	REV	A
UNIT	mm		