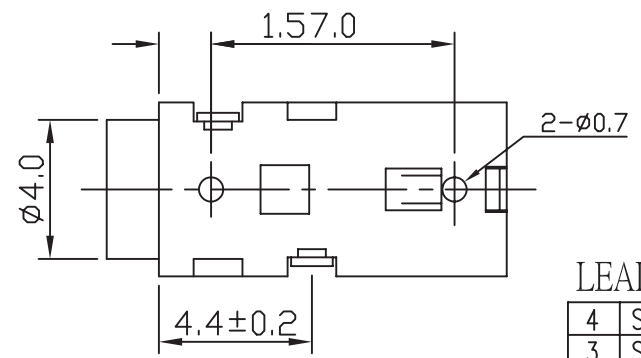
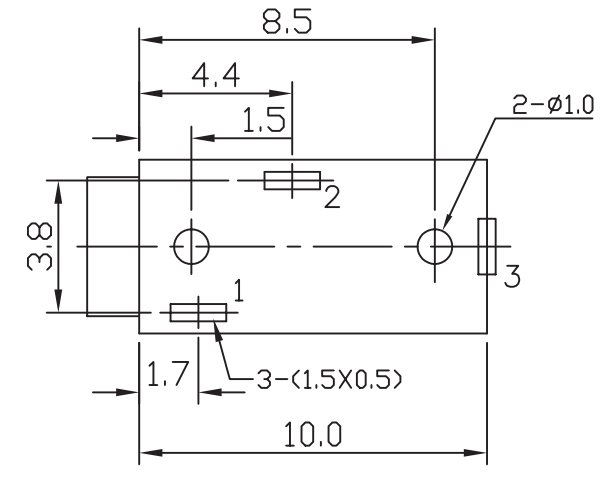
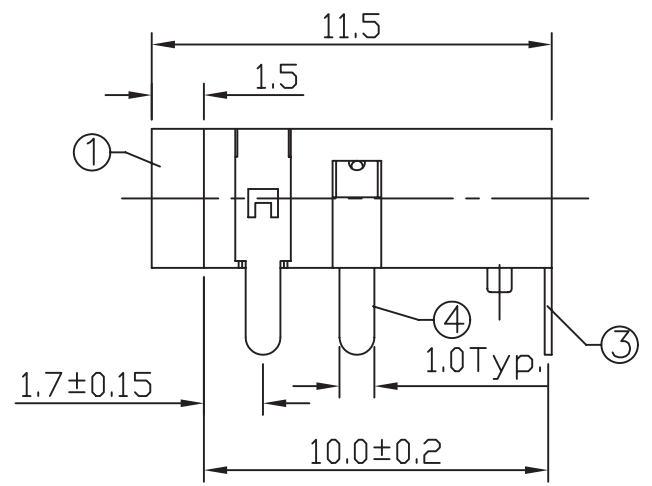
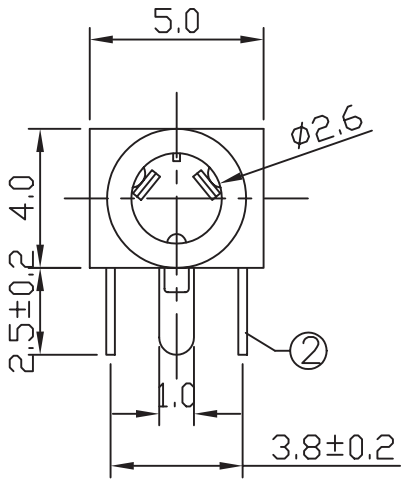
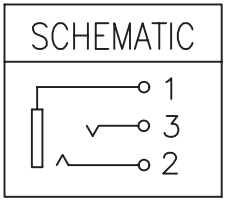


REV	DESCRIPTION	DATE
A	Initial Release	06'.04.13



T:1.6 Dimensions of PC board holes
Tolerance : ±0.1(Printed-top view)



LEAD FREE

LTR	PART NAME	QTY	MATERIAL	REMARK
4	SPRING PIECE	1	C5191	MB:Cu Ag PLATED
3	SPRING PIECE	1	C5191	MB:Cu Ag PLATED
2	SPRING PIECE	1	C5191	MB:Cu Ag PLATED
1	HOUSING	1	PA66	UL-94HB(BLACK)

UNLESS OTHERWISE SPECIFIED, TOLERANCE ON DECIMAL: ±0.3

PANSTRONG COMPANY LTD.				DRAWN BY		TOMMY				
				CHECKED						
TITLE:		2.5MM PHONE JACK, DIP, R/A				APPROVED				
PART NO:		PJ2.5-DP-10				DRAWING NO.				
SCALE		/		REV	A		UNIT	mm		