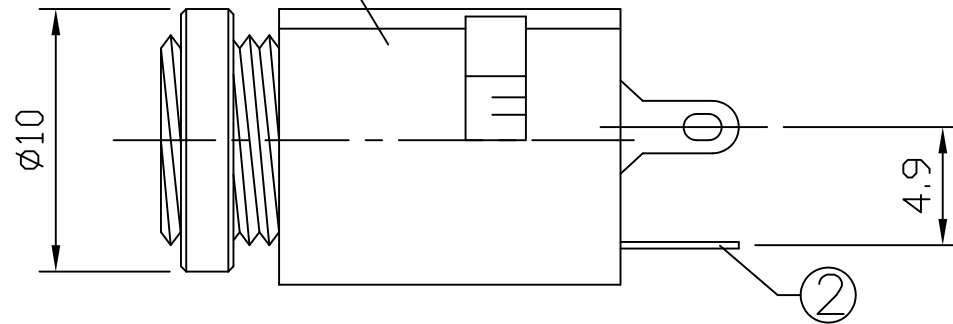
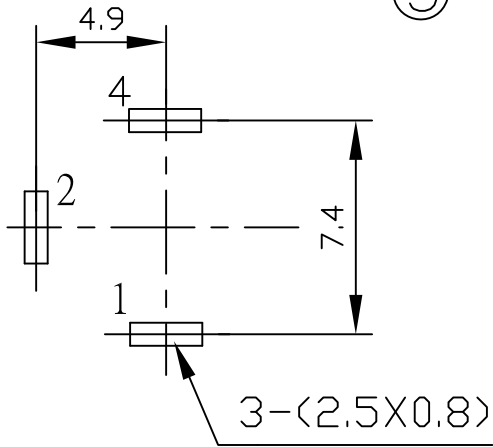
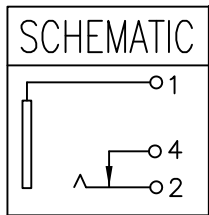
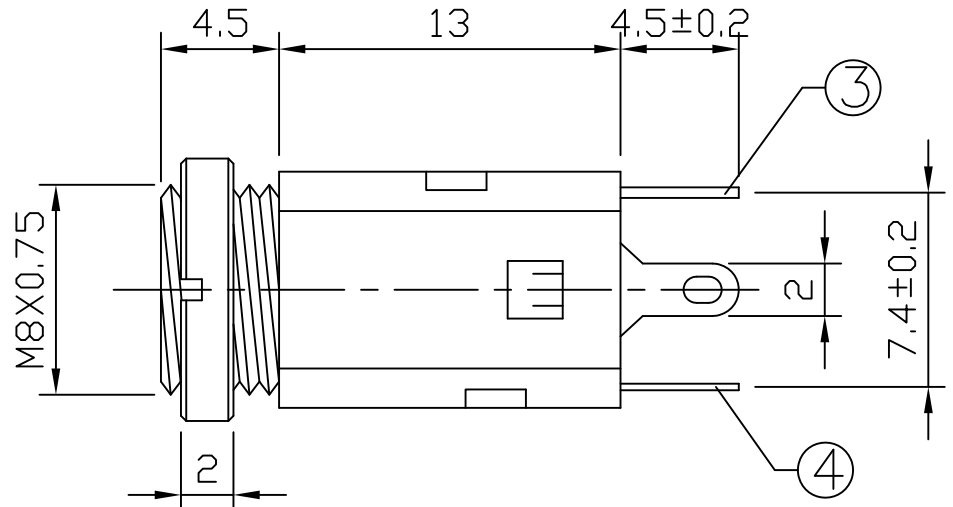
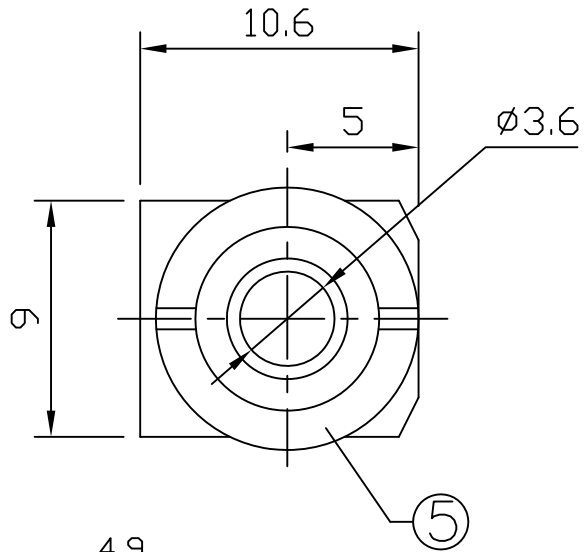


REV	DESCRIPTION	DATE
A	Initial Release	02.11.13



T:1.6 Dimensions of PC board holes
Tolerance : ±0.1(Printed-top view)

LEAD FREE

5	CAP	1	C2680	MB:Cu Ni PLATED
4	CONTACT FOOT	1	C5191	MB:Cu Ag PLATED
3	CURVE PIECE	1	C2680	MB:Cu Ag PLATED
2	SPRING PIECE	1	C5191	MB:Cu Ag PLATED
1	HOUSING	1	PBT 4815	UL-94V0(BLACK)
LTR	PART NAME	QTY	MATERIAL	REMARK

UNLESS OTHERWISE SPECIFIED
TOLERANCE ON DECIMAL
±0.3

	PANSTRONG COMPANY LTD.			DRAWN BY	TOMMY
				CHECKED	
TITLE:	3.5MM PHONE JACK, DIP AND WIRE SOLDER, VERTICAL			APPROVED	
PART NO:	PJ3.5-DP-321			DRAWING NO.	
SCALE	/	REV	A	UNIT	mm