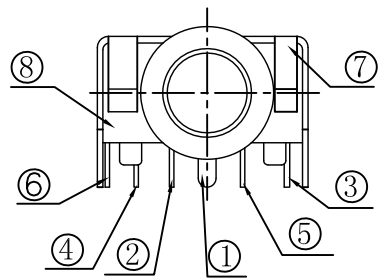
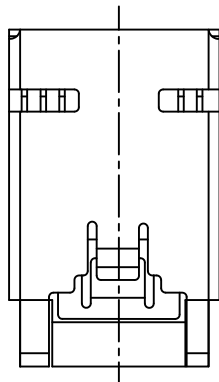
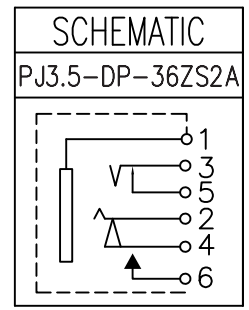
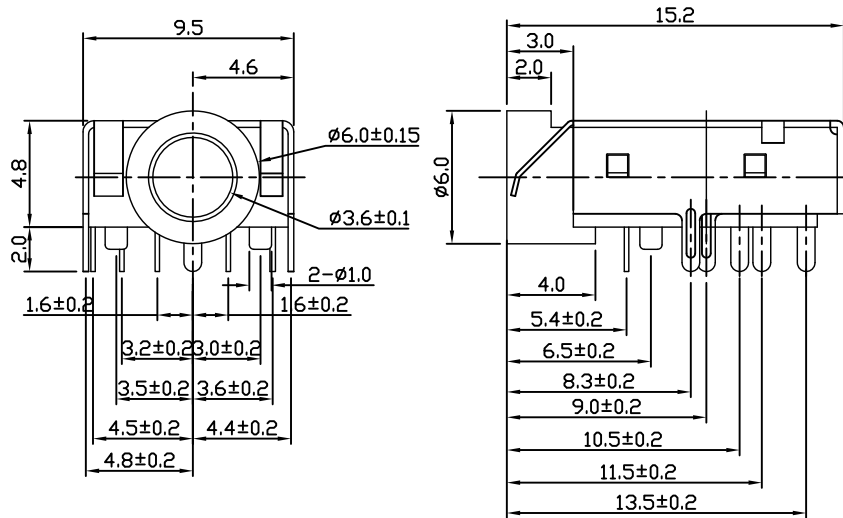


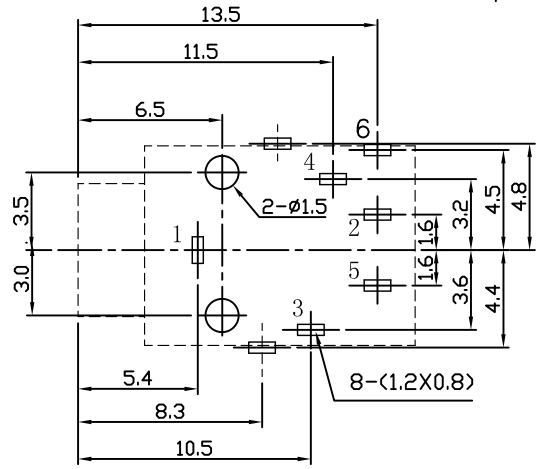
REV	DESCRIPTION	DATE
A	Initial Release	07.12.08



MODEL NO.	HOUSING COLOR
PJ3.5-DP-36ZS2A-01	GREEN
PJ3.5-DP-36ZS2A-02	PINK
PJ3.5-DP-36ZS2A-03	BLUE



LEAD FREE



T:1.6 Dimensions of PC board holes
Tolerance : ±0.1(Printed-top view)

8	HOUSING	1	PA66	
7	COAT	1	SUS301	t=0.20 MB:Cu Ni PLATED
6	TERMINAL 6#	1	C5191	t=0.20 MB:Ni Ag PLATED
5	TERMINAL 5#	1	C5191	t=0.20 MB:Ni Ag PLATED
4	TERMINAL 4#	1	C2680	t=0.20 MB:Ni Ag PLATED
3	TERMINAL 3#	1	C5191	t=0.25 MB:Ni Ag PLATED
2	TERMINAL 2#	1	C5191	t=0.20 MB:Ni Ag PLATED
1	TERMINAL 1#	1	C5191	t=0.20 MB:Ni Ag PLATED
LTR	PART NAME	QTY	MATERIAL	REMARK

	PANSTRONG COMPANY LTD.			DRAWN BY	TOMMY
				CHECKED	
TITLE:	3.5MM PHONE JACK, DIP, R/A			APPROVED	
PART NO:	PJ3.5-DP-36ZS2A			DRAWING NO.	
SCALE	/	REV	A	UNIT	mm

UNLESS OTHERWISE SPECIFIED
TOLERANCE ON DECIMAL:
±0.3

