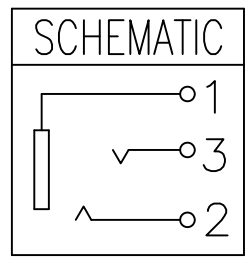
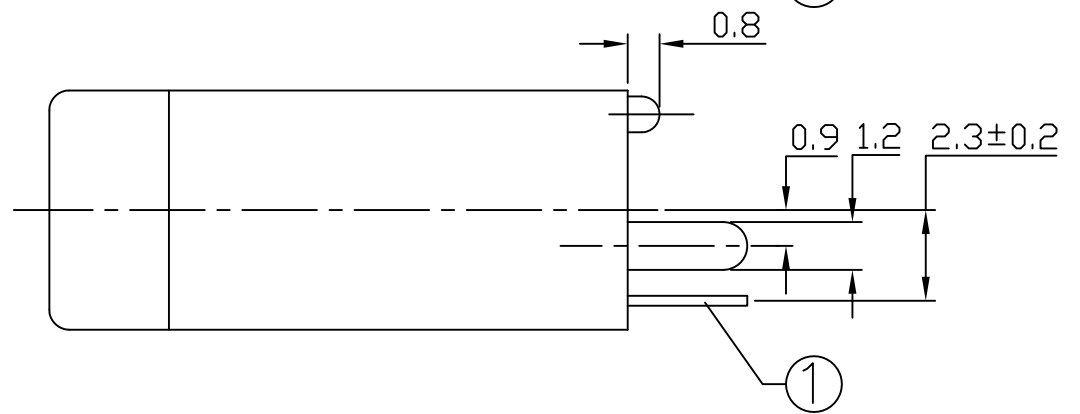
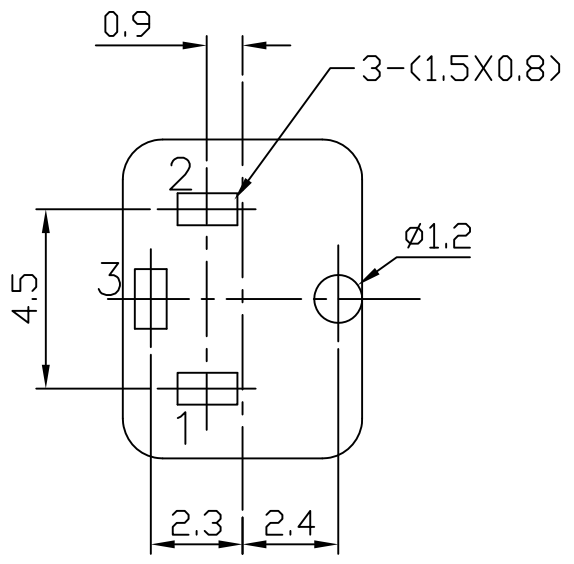
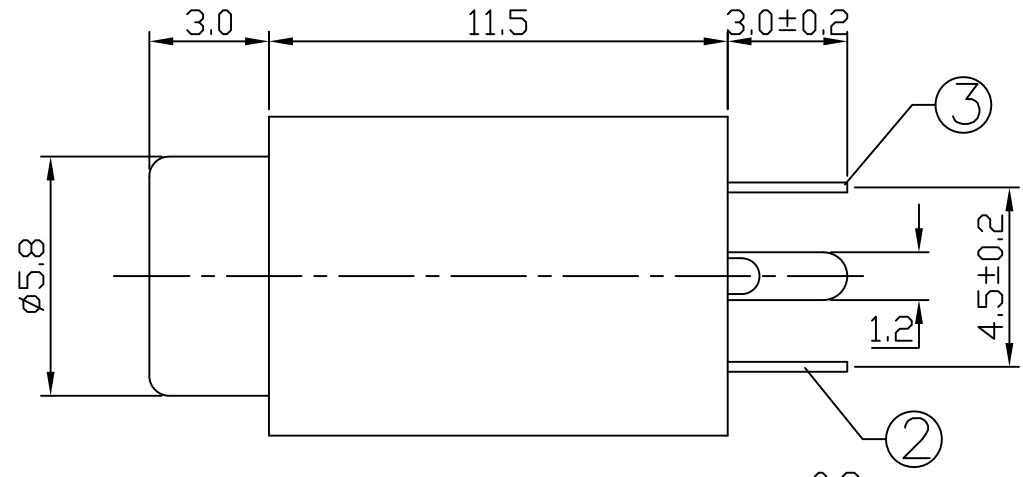
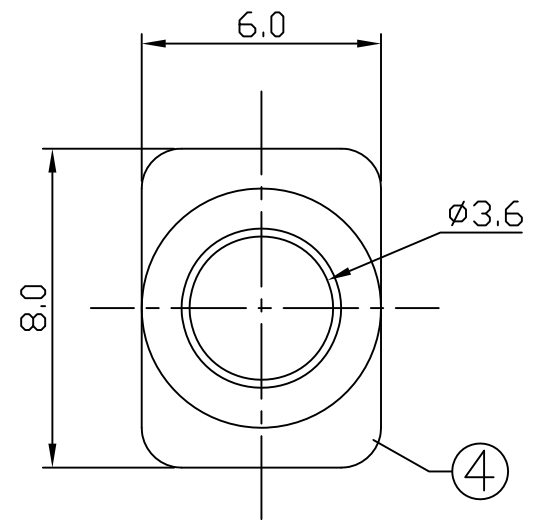


REV	DESCRIPTION	DATE
A	Initial Release	02.11.13



LEAD FREE

LTR	PART NAME	QTY	MATERIAL	REMARK
4	HOUSING	1	PBT 4815	UL-94V0(BLACK)
3	CONTACT FOOT	1	C5191 t=0.25	MB:Cu Ag PLATED
2	CONTACT FOOT	1	C5191 t=0.25	MB:Cu Ag PLATED
1	CONTACT FOOT	1	C5191 t=0.25	MB:Cu Ag PLATED

T:1.6 Dimensions of PC board holes  
Tolerance : ±0.1(Printed-top view)

UNLESS OTHERWISE SPECIFIED, TOLERANCE ON DECIMAL: ±0.3

				DRAWN BY		TOMMY	
				CHECKED			
TITLE:		MINIATURE JACK		APPROVED			
PART NO:		PJ3.5-DP-49		DRAWING NO.			
SCALE		/	REV	A	UNIT	mm	