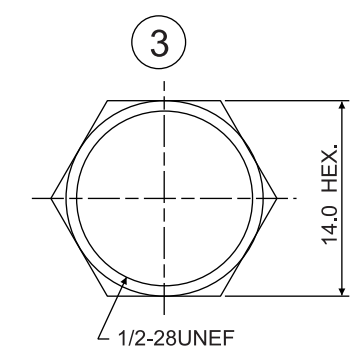
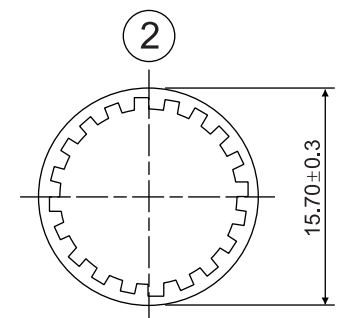
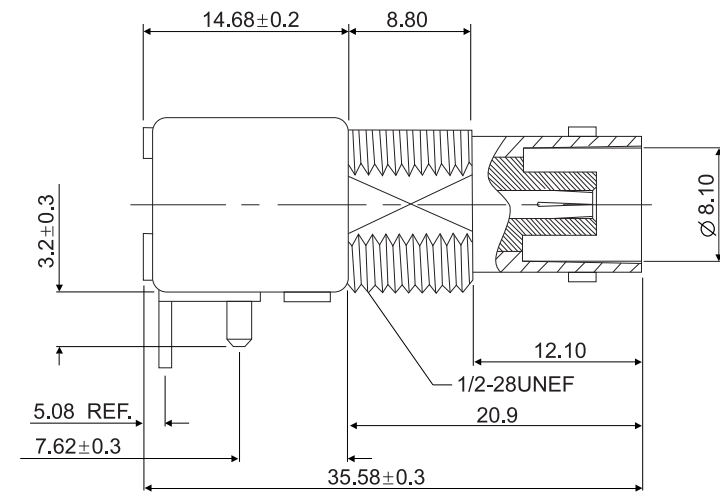
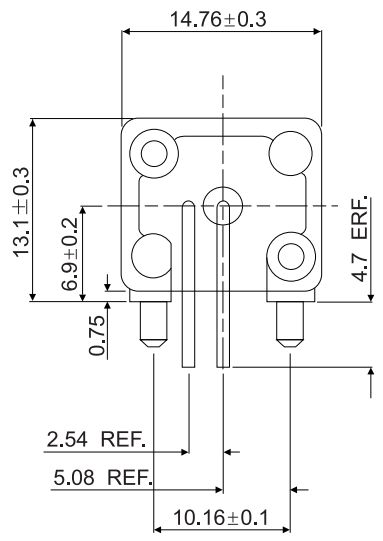


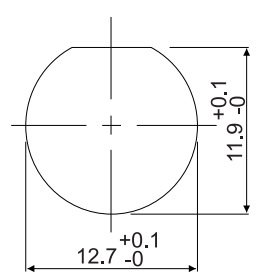
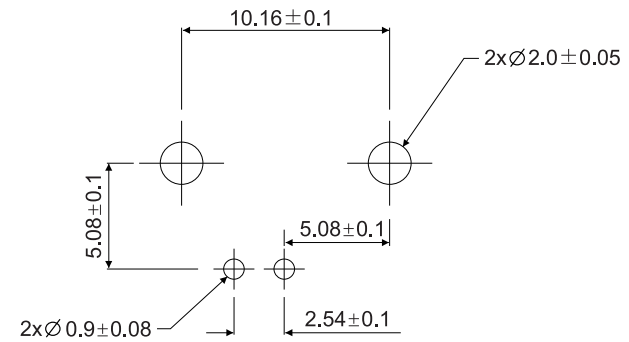
REV	DESCRIPTION	DATE
A	Initial Release	95'.08.29



PART NO.	IMPEDANCE
BF01N0301-L3E	50 OHMS
BF01N0301-L3E-B	75 OHMS

- NOTES:
- NOMINAL IMPEDANCE 50 OHMS.
  - FREQUENCY RANGE: 0-1 GHz.
  - MAX PEAK VOLTAGE: 500V.
  - INSULATION RESISTANCE: 5000 MEGOHMS MIN.
  - DIELECTRIC WITHSTANDING VOLTAGE: 1500 VOLTS RMS.

ITEM	DESCRIPTION	MATERIAL	FINISHED	Q'TY
3	NUT	BRASS	NICKEL	1
2	LOCK WASHER	SK-5	NICKEL	1
1	GROUNDING	Cu COVERED STEEL	TIN	1
	POST	BRASS	TIN	
	CONTACT	P.BRONZE	GOLD & TIN	
	DIELECTRIC	P.P	NONE	
	BODY	ZINC ALLOY	NICKEL	



Recommended PCB Hole

Recommended Mounting Hole

ROHS COMPLIANT

UNLESS OTHERWISE SPECIFIED ALL TOLERANCES ARE:  
 DIMENSION ±1.0  
 INTEGRAL DIMENSIONS ±0.3  
 1 PLACE DECIMAL ±0.15  
 2 PLACE DECIMALS ±0.15  
 ANGLE ±5.0°  
 ANGULAR DIMENSIONS ±5.0°  
 HOLES UNDER Ø0.5 ±0.1

PANSTRONG COMPANY LTD.				DRAWN BY		TOMMY	
				CHECKED		TOMMY	
TITLE:		BNC R/A JACK PCB RECEPTACLE				APPROVED	
PART NO:		BF01N0301-L3E				DRAWING NO.	
SCALE		/	REV	A	UNIT	mm	