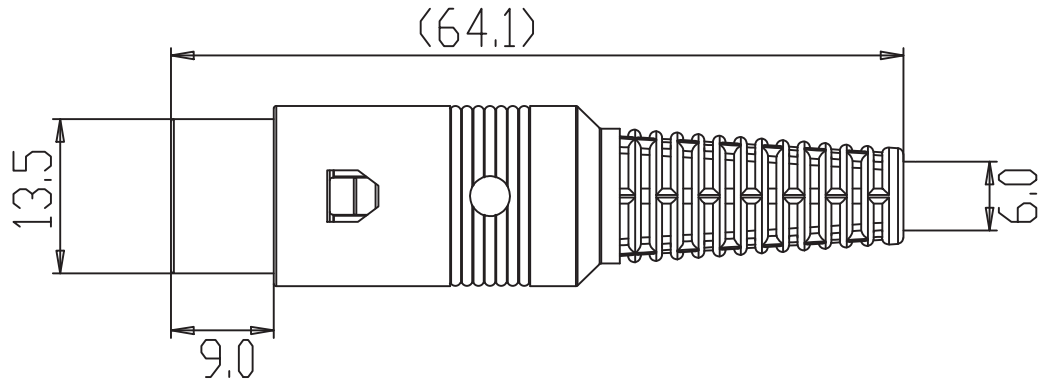


REV	DESCRIPTION	DATE
A	Initial Release	07.01.23



Specifications
rating :

100V AC 1A MAX

contact resistance :

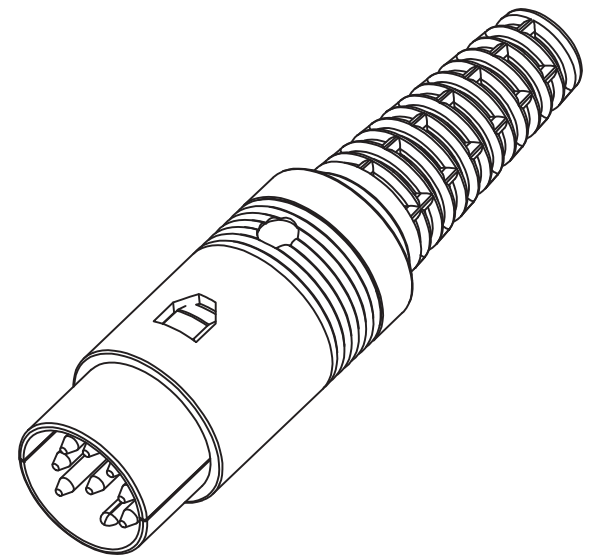
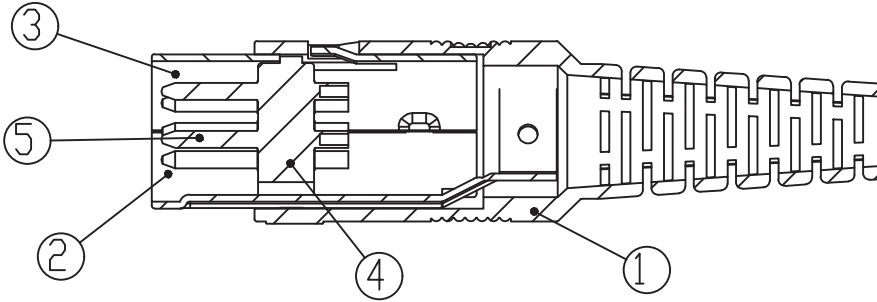
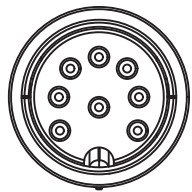
pins-30mΩ MAX; shell-50mΩ MAX

insulation resistance :

MIN 100 MEGΩ @500V DC

voltage withstand :

250V AC R.M.S. for 1 minute



5	Contact Terminals	Brass	Nickel Ptd.	8
4	Housing	ABS		1
3	Shield Cover B	Steel	Nickel Ptd.	1
2	Shield Cover A	Steel	Nickel Ptd.	1
1	Shell Cover	EVA + LLDPE	Black	1
No.	Description	Material	Treat	Q'ty

TOLERANCES
.X +/-0.3
.XX +/-0.20

PANSTRONG COMPANY LTD.				DRAWN BY	TOMMY
				CHECKED	TOMMY
TITLE: DIN 8P Plug 262 Deg. Assembly Type with Plastic Hood				APPROVED	CAROL
PART NO: DN8M01KN-AE				DRAWING NO.	
SCALE	3:2	REV	A	UNIT	mm