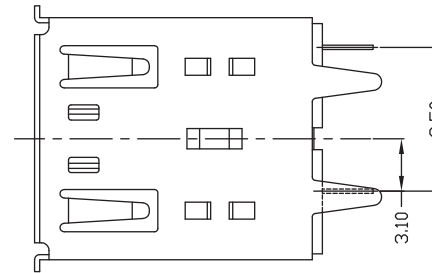
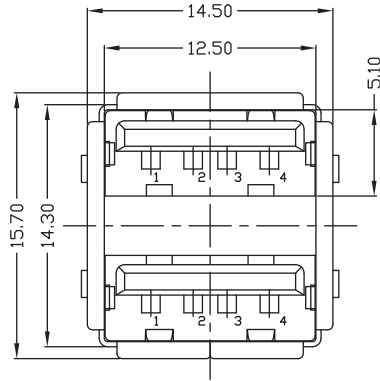
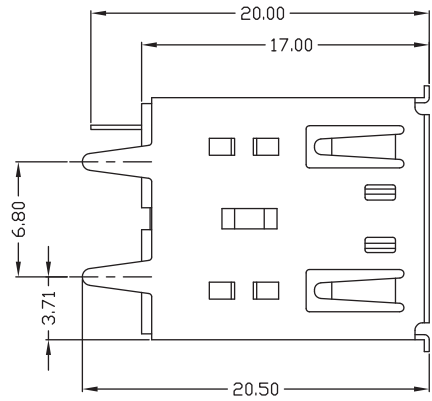




RoHS Compliant
2002/95/EC

REV	DESCRIPTION	DATE
A	Initial Release	14.09.26



NOTES:

- ELECTRICAL:**
 - VOLTAGE CURRENT RATING: 2AMP, 30V AC;
 - INSULATION RESISTANCE: 1000MΩMIN;
 - CONTACT RESISTANCE: 30mΩMAX;
 - WITHSTANDING VOLTAGE: 500V AC;
 - OPERATING TEMPERATURE: -55°C TO +85°C.
- Mechanical:**
 - Mating Force: 35N MAX
 - Unmating Force: 10N MIN.
- DIMENSIONS MARKED "▼" TO BE CHECKED BY Q.C & IPQC.**

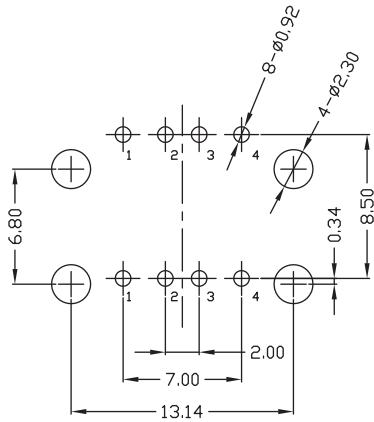
PART NO.

UAS02-4F×2 * 01J-4

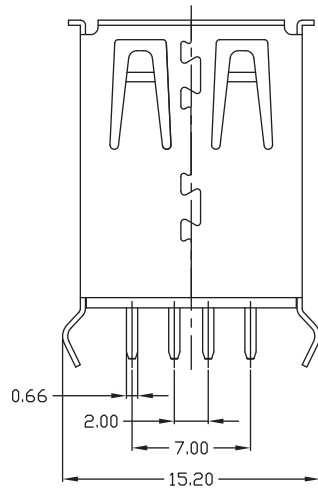
Housing Color

W: White

K: Black



RECOMMENDED PCB LAYOUT



Bill of materials:

NO	PARTS	MATERIAL	QTY	FINISHING
4	CLIP	COPPER ALLOY	1	PLATED NICKEL
3	HOUSING	PBT+30%GF	1	UL94V-0
2	SHELL	COPPER ALLOY/SPCC	1	PLATED NICKEL
1	TERMINAL	COPPER ALLOY	8	PLATED GOLD/TIN



PANSTRONG COMPANY LTD.

DRAWN BY

TOMMY

CHECKED

TOMMY

TITLE:

**USB A Type Receptacle,
Double Deck
Dip Through Hole**

APPROVED

CAROL

PART NO:

UAS02-4F×2 * 01J-4

DRAWING NO.

SCALE

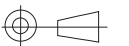
1:1

REV

A

UNIT

mm



TOLERANCE:	
X ±0.35	X' ±2'
X ±0.3	X' ±1'
.XX ±0.25	.XX
.XXX ±0.15	.XXX